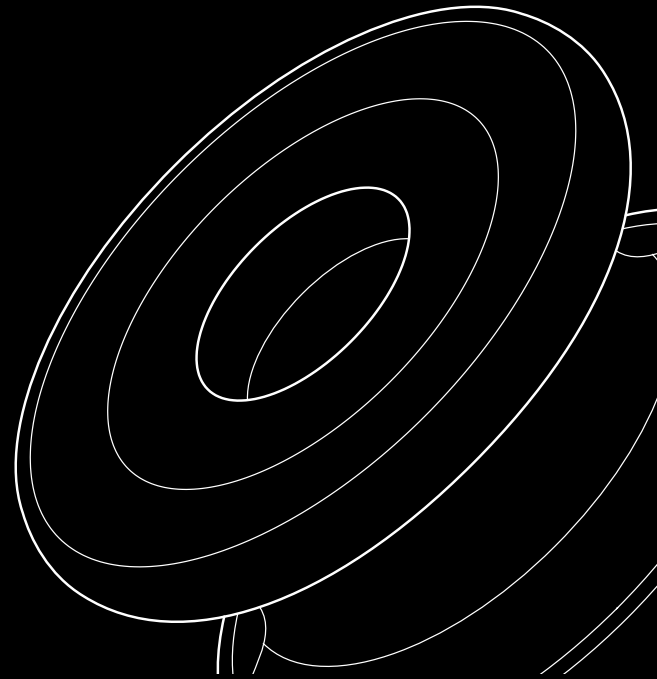


#CHEBELLORING 

FIORI'S RING BY FTC TREE

Fiori's Ring is the largest and strongest friction ring on the market. It's perfect for reducing the load on your friction system.



FRICION RING

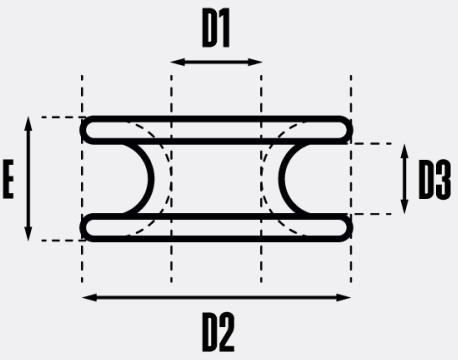


DESCRIPTION

It is a new way to look at rigging - different to using a pulley: here, the low friction on the ring becomes an advantage to brake loads by reducing the forces on the braking system. The surface treatment prevents that friction from damaging the ropes quickly.

This product must be used together with a sling, ideally one with a spliced end (not supplied).

TECHNICAL INFORMATION

Ring	low friction aluminium
Machinery Directive	2006/42/CE
	
Largeur	70 mm (E)
Diamètre(s)	Inner: 52 mm (D1) Exterior: 135 mm (D2) Groove: 40 mm (D3)
Corde admissible en D1 et D3	ø40 mm
Weight	1 kg (2.2 lb)
WLL	60 kN - Deformation: 300 kN

REFERENCE

FTC/R52 FIORI'S RING by FTC TREE

DOCUMENT

Declaration of conformity

Instructions

